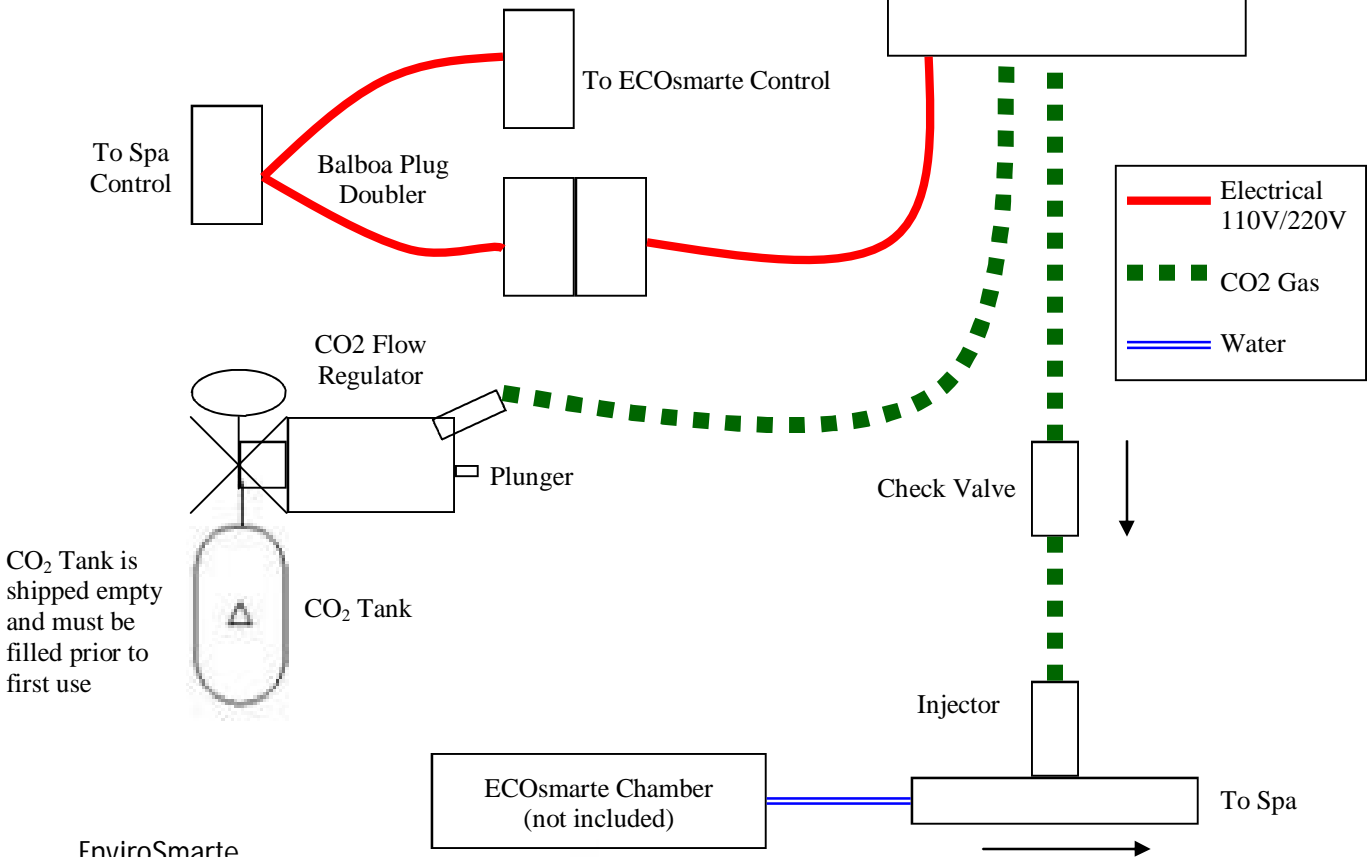
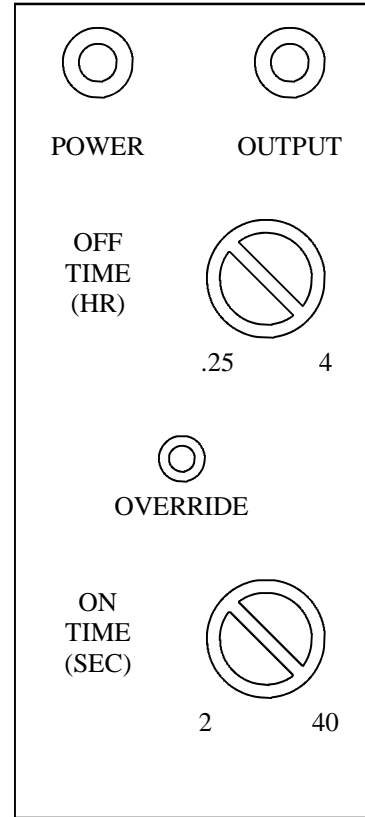


# EnviroSmarte CO<sub>2</sub> pH Control System

- **Installation**  
Install the "CO<sub>2</sub> pH Control Assembly" on a secure surface on the spa frame using the supplied or other screws. Assemble per the diagram, noting flow direction of the CO<sub>2</sub> gas and water. Be sure to open valve on the "CO<sub>2</sub> Tank".
- **Adjustments**  
The initial settings should be between 4-6 seconds "On Time" and 2-3 hours "Off Time". If pH is trending higher than 7.2, increase "On Time" and/or decrease "Off Time". Reverse if pH is trending lower than 6.8.
- **Maintenance**  
The "Plunger" on the end of the "Flow Regulator" can be observed and can indicate if the CO<sub>2</sub> Tank has pressure. If there is pressure, the Plunger should stick out and when pushed, snap back out. Depending on usage, spa size and tank size, the CO<sub>2</sub> Tank must be refilled at 1-6 month intervals. Turn the tank valve "off" and then unscrew the Flow Regulator from the tank.
- **Manual**  
**"THE SPA MUST BE IN FILTRATION MODE"**  
Press and hold the "Override". The "Output" will light and CO<sub>2</sub> gas should begin bubbling in spa.
- **Warranty**  
EnviroSmarte warranties all components of the CO<sub>2</sub> System for a period of 1 year from purchase date. Any defective components will be replaced at no charge upon return of the defective component to EnviroSmarte at customer's shipping expense.

CO<sub>2</sub> pH Control  
Assembly



CO<sub>2</sub> Tank is shipped empty and must be filled prior to first use